

# IN SINK ERATOR

Full 5 Year Warranty

HOUSEHOLD DISPOSER (UL)

## Model 17

120V / 60Hz

3/4 H.P.

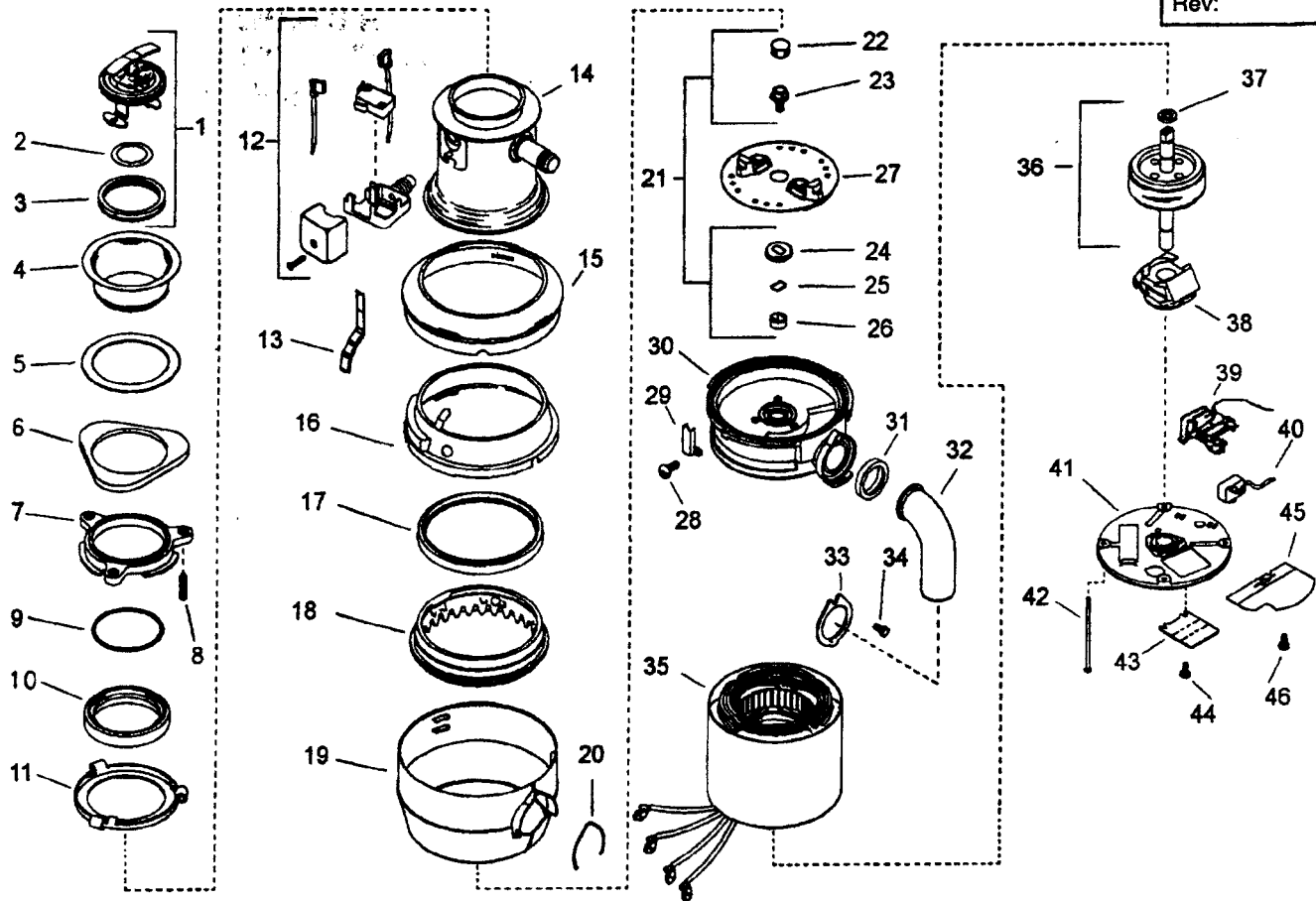
Start Date:

12/14/98

Engineer Number:

72308

Rev:



**ORDER BY PART NUMBER, NOT CODE NUMBER**

CODE NO.	PART NO.	NO. REQ.	DESCRIPTION	CODE NO.	PART NO.	NO. REQ.	DESCRIPTION
1	1019C	1	Stopper Assembly (Incl. Codes 2 & 3)	29	1266	1	Shield, Wire Cover
2	1144	1	Gasket, Stopper (Inner)	30	9209W	1	End Bell Assembly, Upper
3	1146A	1	Gasket, Stopper (Outer)	31	1470	1	Gasket, Tailpipe
4	5170AC	1	Flange, Strainer	32	8219	1	Tailpipe
5	1160	1	Gasket, Sink Flange	33	5490	1	Flange, Tailpipe
6	5150E	1	Flange, Backup	34	1491	1	Screw, Tailpipe
7	5141	1	Flange, Mounting	35	8629U	1	Stator Assembly
8	5147	3	Screw, Backup	36	70485	1	Rotor & Shaft Assembly (Incl. Code 37)
9	5166	1	Ring, Retaining	37	2642	1	Washer
10	1155	1	Gasket, Mounting	38	2467	1	Centrifugal Actuator, Switch
11	5298	1	Flange, Body	39	3706C	1	Start Switch
12	71716	1	Switch Kit	40	2267CH	1	Overload
13	1252A	1	Bracket, Wire Cover	41	9901	1	End Frame Assembly, Lower (Incl. Code 44)
14	3559T	1	Body, Container Assembly (Incl. Code 17)	42	2486A	2	Bolt, Thru
15	1383A	1	Trim Cover	43	71387	1	Cover, Terminal
16	1225N	1	Lower Body	44	2466A	1	Screw, Ground
17	4395	1	Gasket Shredder	45	4134	1	Shield, Wire
18	70814	1	Shredder, Stationary	46	70734	1	Screw, Terminal Cover
19	1398AH	1	Trim Shell Assembly	47	72050	1	ICU Booklet (Not Shown)
20	5097	1	Clip, Trim Band	48	2610TS	1	Instruction Assy (Not Shown) (Incl. Codes 31-34 & 47)
21	70647	1	Sleeve & Seal Kit (Incl. Codes 22-26)				
22	2854	1	Plug				
23	N/A	1	Bolt, Hex Head Flange				
24	N/A	1	Slinger				
25	N/A	1	Seal				
26	N/A	1	Sleeve				
27	71022	1	Shredder Assembly, Rotating				
28	70734	1	Screw				