

IN SINK ERATOR

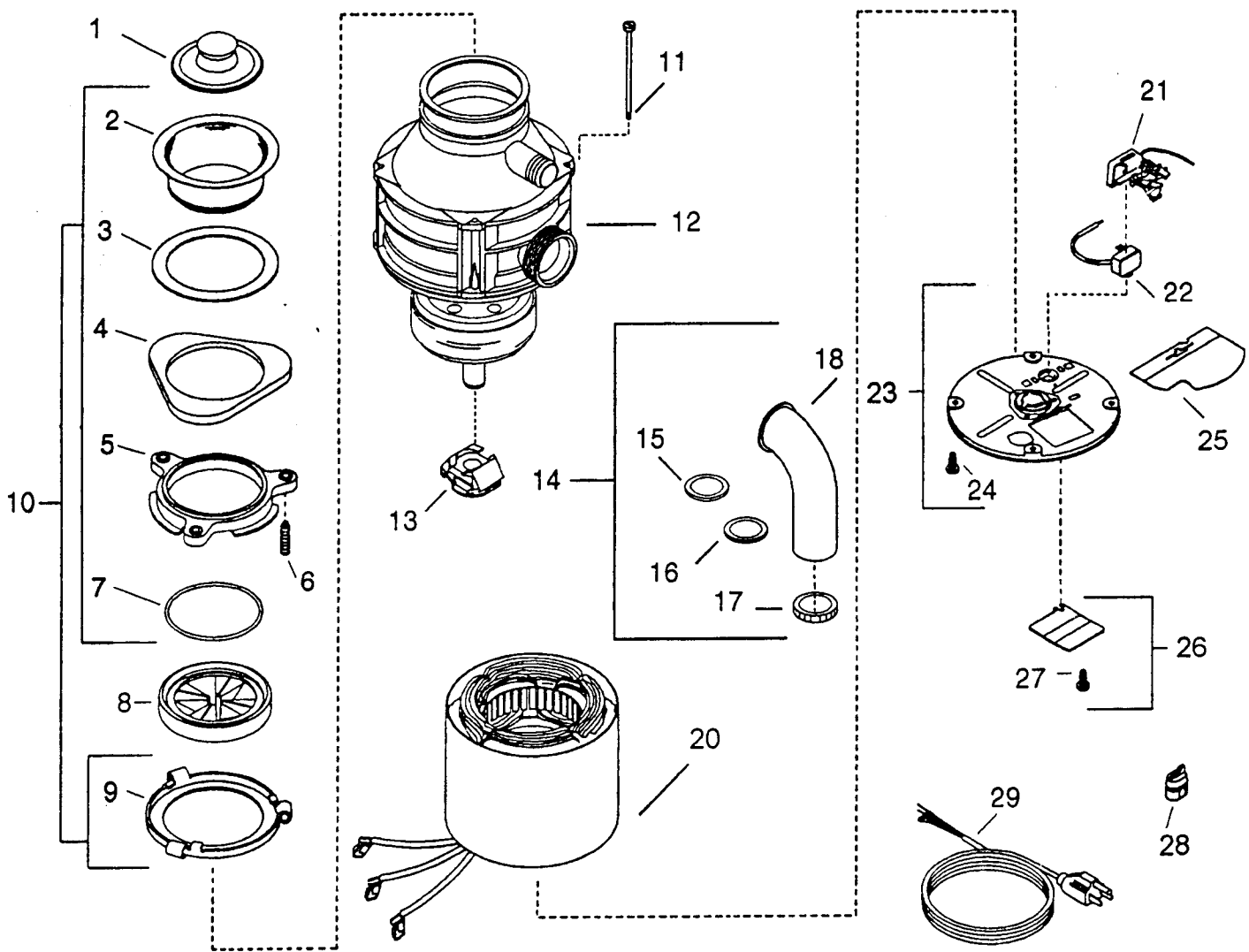
HOUSEHOLD DISPOSER (UL - UL CORD) MODEL BADGER 5

2 Year Full Warranty

120V / 60Hz

1/2 H.P.

Start Date:	10/99
Engineer Number:	72339/A



ORDER BY PART NUMBER, NOT CODE NUMBER

CODE NO.	PART NO.	NO. REQ.	DESCRIPTION	CODE NO.	PART NO.	NO. REQ.	DESCRIPTION
1	4310	1	Stopper Assembly	16	N/A	1	Washer, Beveled
2	N/A	1	Flange, Strainer	17	N/A	1	Nut, 1 - 1/2" Slip
3	N/A	1	Seal, Sink Flange	18	N/A	1	Tailpipe
4	N/A	1	Flange, Backup	19	4577	1	Wrench, Emergency (Not Shown)
5	N/A	1	Flange, Mounting	20	3255AN	1	Stator Assembly
6	N/A	3	Screw, Backup	21	3706C	1	Switch Assembly, Start
7	N/A	1	Ring, Retaining	22	2267BY	1	Overload, Protector
8	70368	1	Gasket, Mounting	23	71875	1	End Frame Assembly (Includes Code 24)
9	N/A	1	Flange, Body	24	N/A	1	Screw, Ground
10	3173DA	1	Mounting Assy (Inc. Codes 2-7 & 9)	25	4134	1	Shield, Wire
11	72029A	4	Bolt, Thru	26	72647A	1	Cover, Terminal Assy (Includes code 27)
12	N/A	1	Enclosure Assembly (Not Available - Replace Unit)	27	N/A	1	Screw, Terminal Cover
13	2467	1	Centrifugal Actuator Assy	28	70666	1	Bushing (B5-75A only)
14	72555	1	Kit, Installation (Includes codes 15 - 19)	29	2272	1	Plug & Cord (B5-75A only)
15	N/A	1	Washer, Flanged	30	72244	1	ICU Booklet (Not Shown)