

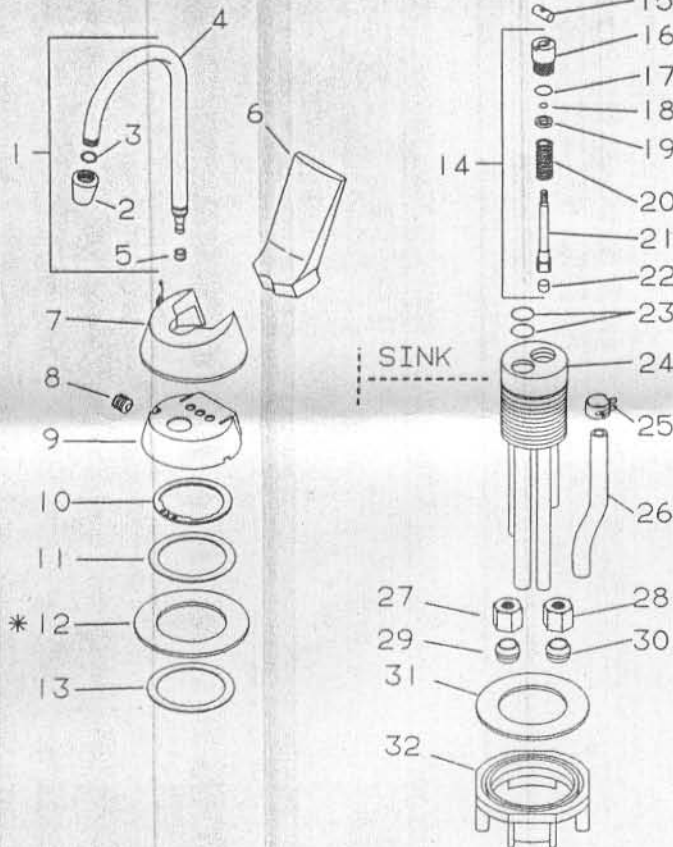
IN-SINK-ERATOR

MODEL GN-3C

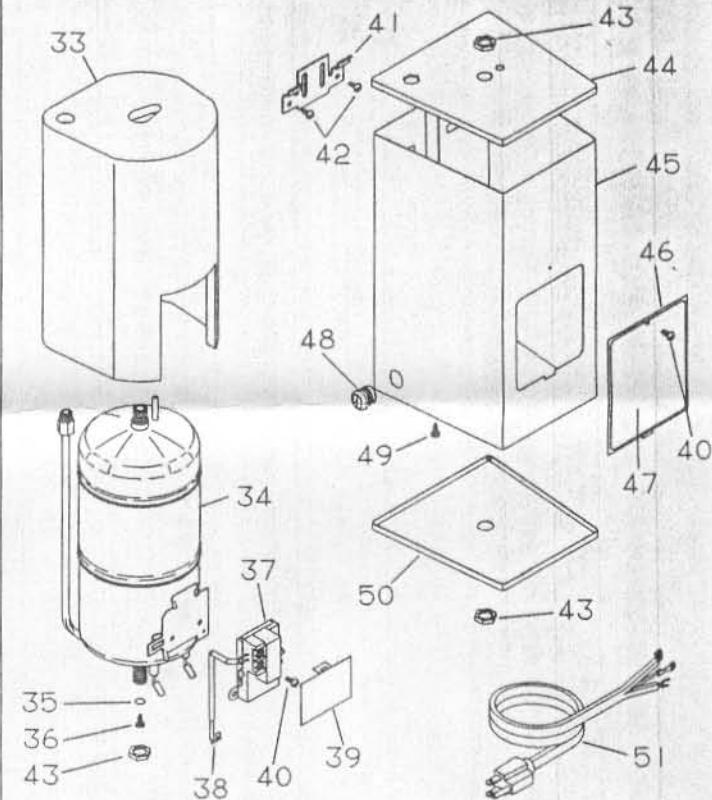
750 WATTS/115V/6.5 AMPS.

UL
 START DATE
 7-94
 ENGINEER NUMBER
 41763N
 REV:

DISPENSER FAUCET ASSEMBLY: 52



JACKET & TANK ASSEMBLY: 53



ORDER BY PART NUMBER, NOT CODE NUMBER

CODE NO.	PART NO.	NO. REQ.	DESCRIPTION	CODE NO.	PART NO.	NO. REQ.	DESCRIPTION
1	41546	1	SPOUT ASSEMBLY - CHROME (INCLUDES CODES 2-5)	33	41319	1	INSULATION, TANK
2	41916	1	AERATOR - CHROME	34	41740-A	1	TANK ASSEMBLY (INCL CODES 35 & 36)
3	40837	1	O-RING, AERATOR	35	40520	1	O-RING
4	N/A	1	SPOUT, GOOSENECK	36	40214	1	SCREW, DRAIN
5	42439	1	GASKET, SPOUT ASSEMBLY	37	40773	1	THERMOSTAT
6	41480-B	1	HANDLE - WHITE	38	42662	1	THERMAL FUSE ASSEMBLY
7	41511-B	1	COVER, SHROUD - WHITE	39	40772	1	INSULATION, THERMOSTAT
8	41954	1	SCREW, SET	40	40701	2	SCREW
9	41510-B	1	COVER, INNER - WHITE	41	40195	1	BRACKET, WALL
10	41300-A	1	RING, RETAINER	42	40673	2	SCREW
11	41307	1	WASHER, STAINLESS (1-5/8" DIA.)	43	40338	2	NUT
12 *	41913	1	WASHER, BACKUP - WHITE (2-1/4" DIA.)	44	41213	1	COVER, TOP
13	41308	1	WASHER, RUBBER	45	40188-AA	1	CASE ASSEMBLY
14	41748-B	1	VALVE GUIDE & STEM ASSEMBLY (INCLUDES CODES 15-22)	46	40692	1	COVER, NAMEPLATE
15	N/A	1	NUT, TEE	47	42339	1	NAMEPLATE
16	N/A	1	BUSHING	48	2136	1	BUSHING, CORD
17	N/A	1	O-RING (LARGE)	49	2466-A	1	SCREW, GROUND
18	N/A	1	O-RING (SMALL)	50	41214	1	COVER, BOTTOM
19	N/A	1	WASHER	51	40781	1	PLUG & CORD ASSEMBLY
20	N/A	1	SPRING	52	41757-AC	1	DISPENSER FAUCET ASSEMBLY (CHROME) (INCLUDES CODES 1, 6-10, 14-24, 54)
21	N/A	1	VALVE STEM ASSEMBLY	53	41747-BT	1	TANK & JACKET ASSEMBLY (CHROME) (INCLUDES CODES 33-51)
22	N/A	1	DISC, VALVE STEM	54	40264-AX	1	INSTRUCTION ASSEMBLY (NOT SHOWN) (INCLUDES CODES 11, 13, 31, 25, 27-30, 41, 42, 55)
23	40533	2	O-RING, GOOSENECK	55	42325	1	SHEET, INSTALLATION (NOT SHOWN)
24	41749	1	VALVE BASE ASSEMBLY				
25	40242	1	CLAMP, HOSE				
26	40231	1	TUBE, VENT				
27	40066	1	NUT, COMPRESSION (1/4")				
28	40261	1	NUT, COMPRESSION (5/16")				
29	40067	1	SLEEVE, BALL (1/4")				
30	40260	1	SLEEVE, BALL (5/16")				
31	41407	1	GASKET, FIBER				
32	41527	1	NUT, WING				

* USED UNDER 1-5/8" WASHER WHEN HOLE IN SINK EXCEEDS 1-3/8" OR WHEN INSTALLING IN A PORCELAIN ENAMELED CAST IRON SINK.