

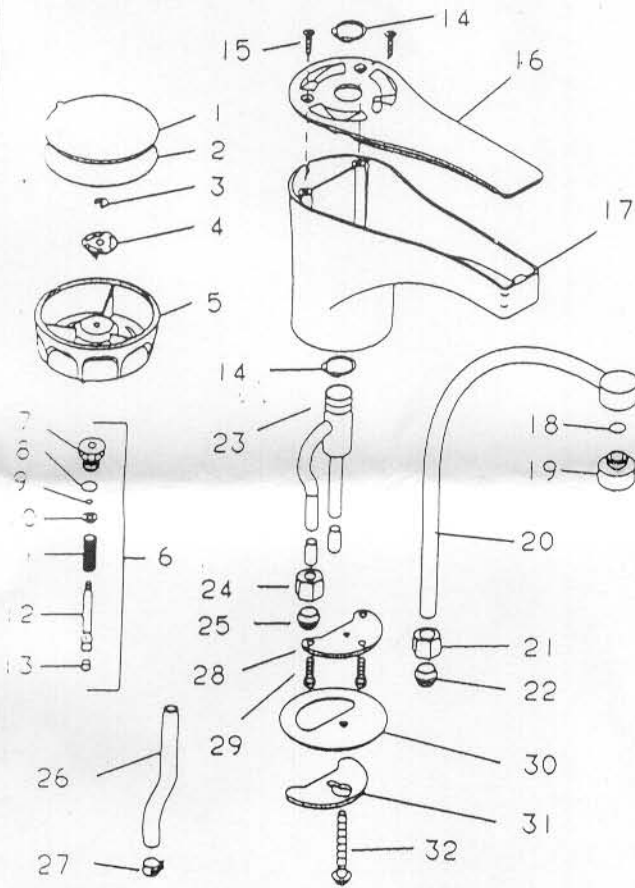
IN-SINK-ERATOR

MODEL H770-10

115V/60Hz

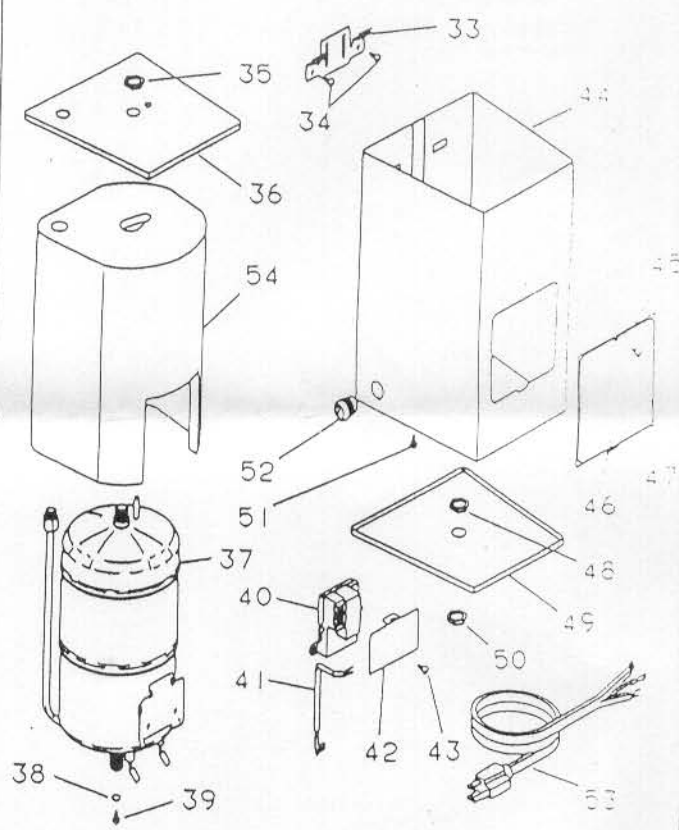
START DATE
3-20-89
ENGINEER NUMBER
41741

FAUCET ASSEMBLY - 55



TANK & JACKET ASSEMBLY - 56

REV: 8-92



ORDER BY PART NUMBER, NOT CODE NUMBER

CODE NO.	PART NO.	NO. REQ.	DESCRIPTION	CODE NO.	PART NO.	NO. REQ.	DESCRIPTION
	40219	1	CAP	31	40305-A	1	PLATE, SUPPORT
	40339	1	LOGO, NAMEPLATE	32	41222	1	SCREW, SELF-TAPPING
	40149	1	RETAINER, "C"	33	40195	1	BRACKET, WALL
	40147	1	RETAINER, SPRING	34	40673	2	SCREW
	40216	1	KNOB, FLARED	35	40338	1	NUT
	41809	1	VALVE STEM ASSEMBLY (INCLUDES CODES 7 THRU 13)	36	41213	1	COVER, TOP
		1	BUSHING, VALVE GUIDE	37	41740-A	1	TANK ASSEMBLY (INCL CODES 38 & 39)
		1	O-RING	38	40520	1	O-RING
		1	O-RING	39	40214	1	SCREW, DRAIN
		1	WASHER	40	40773	1	THERMOSTAT
		1	SPRING	41	40782	1	THERMAL FUSE ASSEMBLY
		1	STEM ASSEMBLY	42	40772	1	INSULATION, THERMOSTAT
		1	DISC, VALVE	43	40701	1	SCREW
	40238	2	RING, RETAINING	44	40188-AA	1	CASE ASSEMBLY
	40445	2	SCREW	45	40692	1	COVER, NAMEPLATE
	40429	1	CAP, DISPENSER	46	42339	1	NAMEPLATE
	40428	1	BODY, DISPENSER	47	40701	1	SCREW
	40239	1	O-RING	48	40338	1	NUT
	40432-A	1	AERATOR ASSEMBLY (INCLUDES CODE #18)	49	41214	1	COVER, BOTTOM
		1	SUPPLY TUBE ASSEMBLY	50	40338	1	NUT
	41759	1	NUT, COMPRESSION (5/16")	51	2466-A	1	SCREW, GROUND
	40261	1	SLEEVE, COMPRESSION (5/16")	52	2135	1	BUSHING, CORD
	40260	1	VALVE BASE & TUBE ASSEMBLY (INCLUDES CODES #6, #11, #14)	53	40781	1	PLUG & CORD ASSEMBLY
	41756	1	NUT, COMPRESSION	54	41319	1	INSULATION, TANK
	40066	1	SLEEVE, COMPRESSION	55	41761-U	1	DISPENSER FAUCET ASSEMBLY (INCLUDES CODES 1 THRU 20, 23, 26 & 28 THRU 32)
	40067	1	TUBE, VENT	56	41747	1	JACKET & TANK ASSEMBLY (INCLUDES CODES 35 THRU 54)
	40231	1	CLAMP, HOSE	57	41767	1	INSTALLATION SHEET (NOT SHOWN)
	41241-A	1	PLATE, BASE	--	40264	1	INSTRUCTION ASSEMBLY (NOT SHOWN) (INCLUDES CODES 21, 22, 24, 25, 27, 33, 34, 57)
	40344	3	SCREW				
	40670	1	GASKET				