

IN-SINK-ERATOR

MODEL H/C-3-2 (CHROME)

MODEL H/C-3W-2 (WHITE)

1300 WATTS/240V/5.4 AMPS.

ENGR. NO.
41766D

START DATE
3-9-94

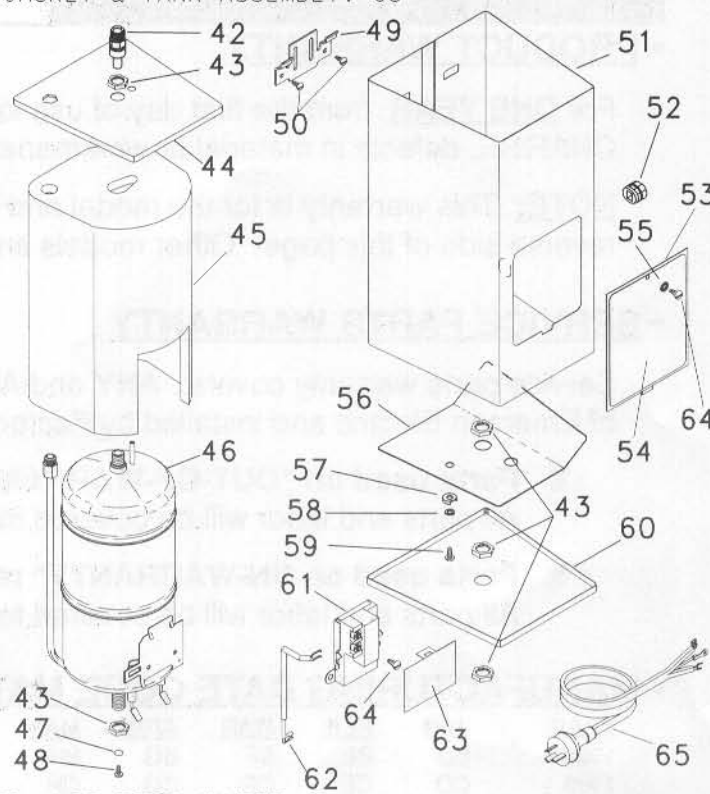
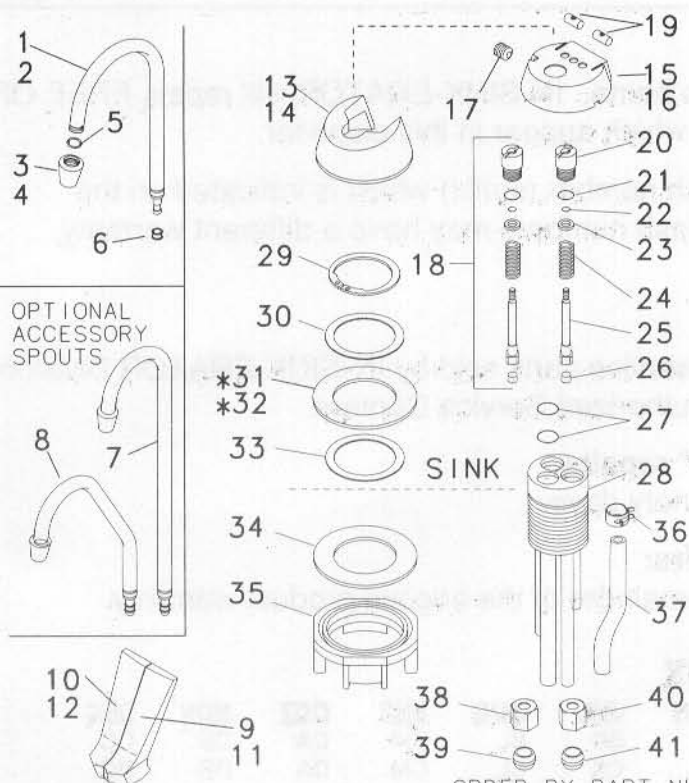
ENGR. NO.
41766E

START DATE
3-9-94

REV.: 8-22-95

DISPENSER FAUCET ASSEMBLY: 66 & 67

JACKET & TANK ASSEMBLY: 68



ORDER BY PART NUMBER, NOT CODE NUMBER

CODE NO.	PART NO.	NO. REQ.	DESCRIPTION	CODE NO.	PART NO.	NO. REQ.	DESCRIPTION
1	41546	1	SPOUT ASSEMBLY (CHROME) (INCLUDES CODES 3,5,6)	36	40242	1	CLAMP, HOSE
2	41546-B	1	SPOUT ASSEMBLY (WHITE) (INCLUDES CODES 4,5,6)	37	40231	1	TUBE, VENT
3	41916	1	AERATOR (CHROME)	38	40066	1	NUT, COMPRESSION (1/4")
4	42341-A	1	AERATOR (WHITE)	39	40067	1	SLEEVE, BALL (1/4")
5	N/A	1	O-RING	40	40261	1	NUT, COMPRESSION (5/16")
6	42439	1	GASKET, SPOUT	41	40260	1	SLEEVE, BALL (5/16")
7	41558	1	SPOUT, CARAFE FILLER (CHROME) (INCLUDES CODES 3,5,6)	42	40909	1	CHECK VALVE ASSEMBLY
8	41559	1	SPOUT, 4" LONG REACH (CHROME) (INCLUDES CODES 3,5,7)	43	40338	5	NUT
9	41479	1	HANDLE, RIGHT - BLACK	44	41213	1	COVER, TOP
10	41479-A	1	HANDLE, LEFT - BLACK	45	41319	1	INSULATION, TANK
11	41479-D	1	HANDLE, RIGHT - WHITE	46	N/A	1	TANK ASSEMBLY (SEE CODE #68)
12	41479-E	1	HANDLE, LEFT - WHITE	47	40520	1	O-RING
13	41511	1	COVER, SHROUD - BLACK	48	40214	1	SCREW, DRAIN
14	41511-B	1	COVER, SHROUD - WHITE	49	40195	1	BRACKET, WALL
15	41510	1	COVER, INNER - BLACK	50	40673	2	SCREW
16	41510-B	1	COVER, INNER - WHITE	51	40188-AL	1	CASE ASSEMBLY
17	41954	1	SCREW, SET	52	40791	1	BUSHING, CORD
18	41748-B	2	VALVE GUIDE & STEM ASSEMBLY (INCLUDES CODES 19 THRU 26)	53	40692	1	COVER, NAMEPLATE
19	N/A	2	NUT, TEE	54	N/A	1	NAMEPLATE
20	N/A	2	BUSHING	55	42246	1	LOCKWASHER, INTERNAL TOOTH
21	N/A	2	O-RING (LARGE)	56	42250	1	INSULATION, CASE
22	N/A	2	O-RING (SMALL)	57	42248	1	WASHER, CUP
23	N/A	2	WASHER	58	42249	1	WASHER, BRASS
24	N/A	2	SPRING	59	2466-A	1	SCREW, GROUND
25	N/A	2	VALVE STEM ASSEMBLY	60	41214	1	COVER, BOTTOM
26	N/A	2	DISC, VALVE STEM	61	40773	1	THERMOSTAT
27	40533	2	O-RING, SPOUT	62	42662	1	THERMAL FUSE ASSEMBLY
28	42286	1	VALVE BASE ASSEMBLY	63	40772	1	INSULATION, THERMOSTAT
29	41300-A	1	RING, RETAINER	64	40701	2	SCREW
30	41307	1	WASHER, STAINLESS (1-5/8" DIA)	65	2207	1	PLUG & CORD ASSEMBLY
31	* 41912	1	WASHER, STAINLESS BACKUP (2-1/4"DIA)	66	41757-A	1	DISPENSER FAUCET ASSEMBLY (CHROME) (INCL CODES 1,9,10,13,15,17-29,35-37)
32	* 41913	1	WASHER, WHITE BACKUP (2-1/4"DIA)	67	41757-H	1	DISPENSER FAUCET ASSEMBLY (WHITE) (INCL CODES 2,11,12,14,16-29,35-37)
33	41308	1	WASHER, RUBBER	68	42750-K	1	TANK & JACKET ASSEMBLY (INCL CODES 40,41,43-48,51-54,59-65)
34	41407	1	GASKET, FIBER	69	40264-CB	1	INSTRUCTION ASSEMBLY (NOT SHOWN) (INCL CODES 30,33,34,36,38-41,49,50,70)
35	41527	1	NUT, WING	70	42325	1	INSTALLATION SHEET (NOT SHOWN)
				71	42502	1	FILTER (NOT SHOWN)

* USED UNDER 1-5/8" WASHER WHEN HOLE IN SINK EXCEEDS 1-3/8" OR WHEN INSTALLING IN A PORCELAIN ENAMELED CAST IRON SINK.