

IN-SINK-ERATOR

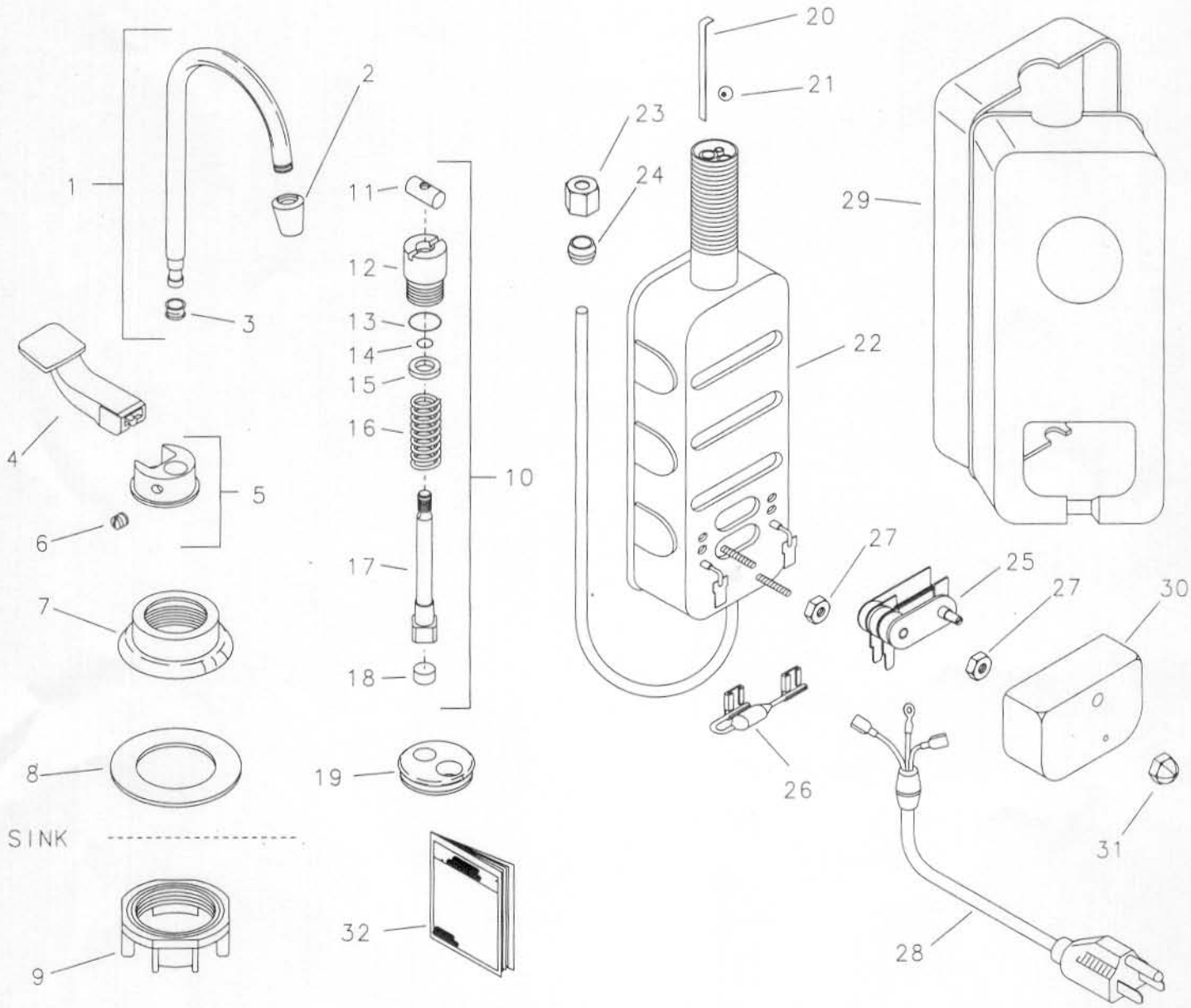
MODEL HOT-1 UL
MODEL HOT-1-1 CSA

UL
CSA



START DATE 3-20-89	ENGINEER NUMBER 41746
START DATE 3-20-89	ENGINEER NUMBER 41746A

REV: 11-96



ORDER BY PART NUMBER, NOT CODE NUMBER

CODE NO.	PART NO.	NO. REQ.	DESCRIPTION	CODE NO.	PART NO.	NO. REQ.	DESCRIPTION
1	41514	1	SPOUT ASSEMBLY (INCLUDES CODES 2 & 3)	21	42893	1	BALL, ASPIRATOR
2	41427	1	END PIECE, SPOUT	22		1	TANK ASSEMBLY
3	42439	1	GASKET	23	40066	1	NUT COMPRESSION (1/4")
4	42273-B	1	HANDLE	24	40067	1	SLEEVE, BALL (1/4")
5	41118	1	COVER (INCLUDES CODE 6)	25	42219	1	THERMOSTAT
6	42060	1	SCREW, SET	26	42050	1	THERMAL FUSE ASSEMBLY
7	41380	1	NUT, MOUNTING (UPPER)	27	42071	2	NUT
8	42053	1	GASKET, MOUNTING	28	42086	1	PLUG & CORD ASSEMBLY
9	42052	1	NUT, MOUNTING (LOWER)	29	41094-N	1	CASE
10	41449-B 41748B	1	VALVE GUIDE & STEM ASSEMBLY (INCLUDES CODES 11 THRU 18)	30	42128-AB	1	ELECTRICAL COVER ASSEMBLY (UL)
11		1	NUT, TEE		42128-AE	1	ELECTRICAL COVER ASSEMBLY (CSA)
12		1	BUSHING	31	42049	1	NUT, CAP
13		1	O-RING (29/64 O.D.)	32	42898	1	USE AND CARE BOOK (ENGLISH)
14		1	O-RING (9/32 O.D.)		42910	1	USE AND CARE BOOK (SPANISH)
15		1	WASHER		42911	1	USE AND CARE BOOK (FRENCH)
16		1	SPRING	33	42063-AD	1	INSTRUCTION ASM. - UL (NOT SHOWN) (INCLUDES CODE 7,8,23,24,32)
17		1	VALVE STEM ASSEMBLY		42063-AE	1	INSTRUCTION ASM. - CSA (NOT SHOWN) (INCLUDES CODE 7,8,23,24,32)
18		1	DISC, VALVE STEM				
19	42055	1	GASKET, EXPANSION TUBE				
20	41382	1	RETAINER, ASPIRATOR BALL				