

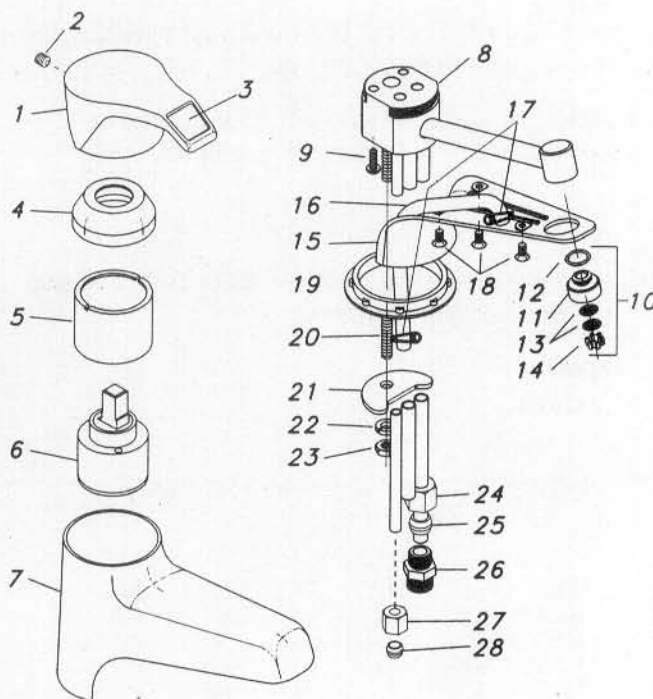
# IN-SINK-ERATOR

# MODEL UWL-1 (CHROME)

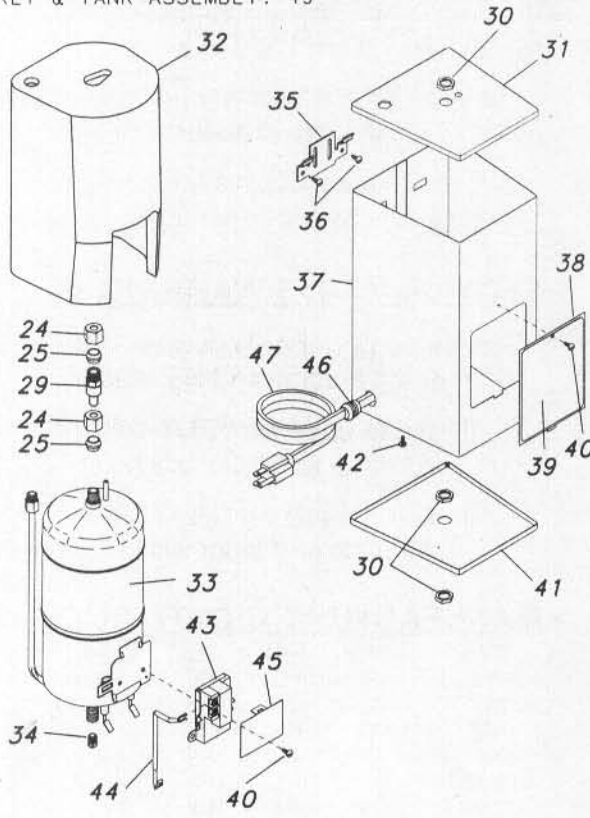
750W/115V/60HZ/11.1A/UL

ENGR. NO. 42831	START DATE 11-1-95
ENGR. NO. 42831	START DATE 11-1-95
REV. :	

## DISPENSER FAUCET ASSEMBLY: 48



## JACKET & TANK ASSEMBLY: 49



ORDER BY PART NUMBER, NOT CODE NUMBER

CODE NO.	PART NO.	NO. REQ.	DESCRIPTION	CODE NO.	PART NO.	NO. REQ.	DESCRIPTION
1	42604	1	HANDLE, FAUCET - CHROME	33	41740-H	1	TANK ASSEMBLY (INCL CODE 34)
2	42631	1	SCREW, SET	34	42781	1	PIPEPLUG w/TAPE
3	42726	1	LOGO, FAUCET	35	40195	1	BRACKET, WALL
4	42603	1	DOME	36	40673	2	SCREW
5	42615	1	SLEEVE	37	40188-W	1	CASE ASSEMBLY
6	42638	1	CARTRIDGE - DRILLED	38	40692	1	COVER, NAMEPLATE
7	42601	1	SHELL, FAUCET - CHROME	39	40717	1	NAMEPLATE
8	42637	1	MANIFOLD ASSEMBLY	40	40701	2	SCREW
9	42652	2	SCREW	41	41214	1	COVER, BOTTOM
10	42605	1	ENDPIECE ASSEMBLY (INCLUDES CODES 11-14)	42	2466-A	1	SCREW, GROUND
11	N/A	1	OUTLET, ENDPIECE	43	40773	1	THERMOSTAT
12	N/A	1	O-RING	44	42584	1	THERMAL FUSE ASSEMBLY
13	N/A	2	SCREEN	45	40772	1	INSULATION, THERMOSTAT
14	N/A	1	STRAIGHTENER, FLOW	46	2135	1	BUSHING, CORD
15	42602	1	COVER, FAUCET BOTTOM	47	40781	1	PLUG & CORD ASSEMBLY
16	40231-C	1	TUBE, PLASTIC VENT	48	42633-J	1	FAUCET ASSEMBLY - CHROME (INCL CODES 1-28, 35, 36)
17	40242	2	CLAMP, HOSE	49	41747-CN	1	JACKET & TANK ASSEMBLY (INCL CODES 21-34, 37-47)
18	42629	3	SCREW	50	40382-P	1	INSTRUCTION ASSEMBLY (NOT SHOWN) (INCL CODES 19, 24, 25, 27, 28, 35, 36)
19	42616	1	BASE, MOUNTING	51	42832	1	INSTRUCTIONS, INSTALL. (NOT SHOWN)
20	42636	1	STUD				
21	42639	1	PLATE, SUPPORT				
22	40558	1	LOCKWASHER				
23	42363	1	NUT, HEX				
24	40261	3	NUT, COMPRESSION (5/16")				
25	40260	3	SLEEVE, BALL (5/16")				
26	42634	1	FLOW CONTROL ASSEMBLY				
27	40066	1	NUT, COMPRESSION (1/4")				
28	40067	1	SLEEVE, BALL (1/4")				
29	40909	1	CHECK VALVE ASSEMBLY				
30	40338	3	NUT				
31	41213	1	COVER, TOP				
32	41319	1	INSULATION, TANK				