

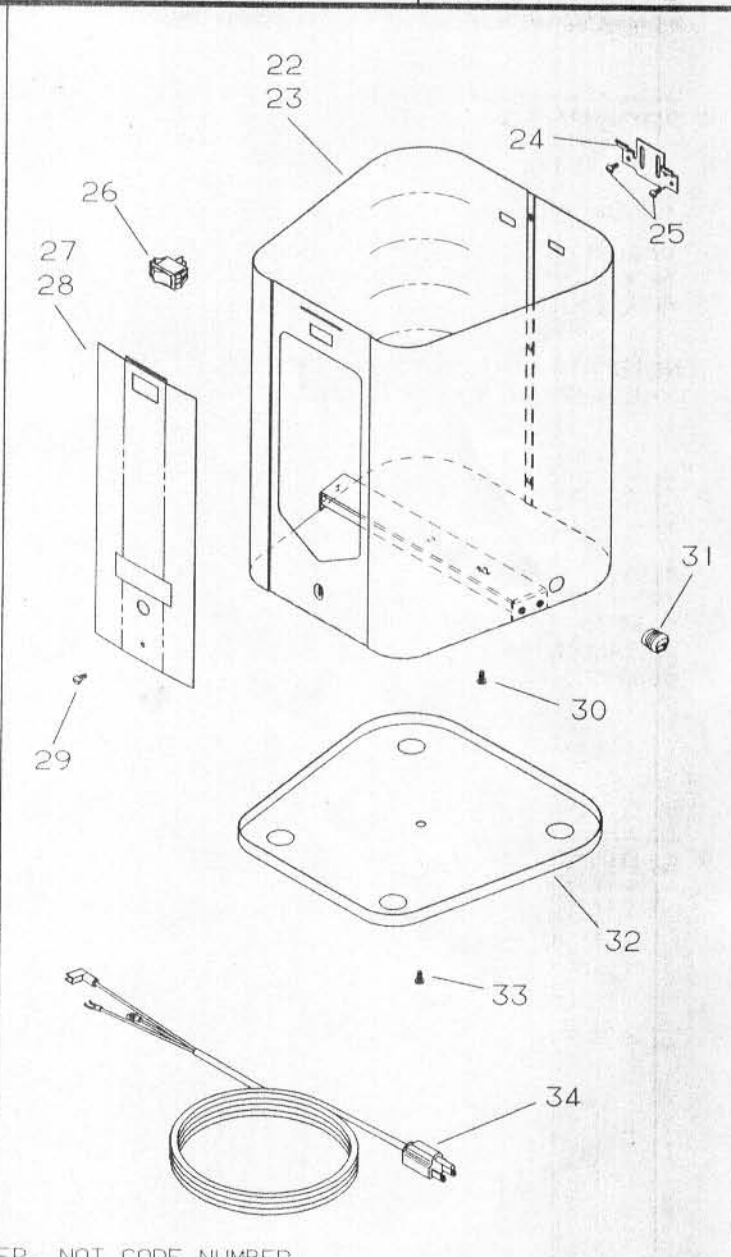
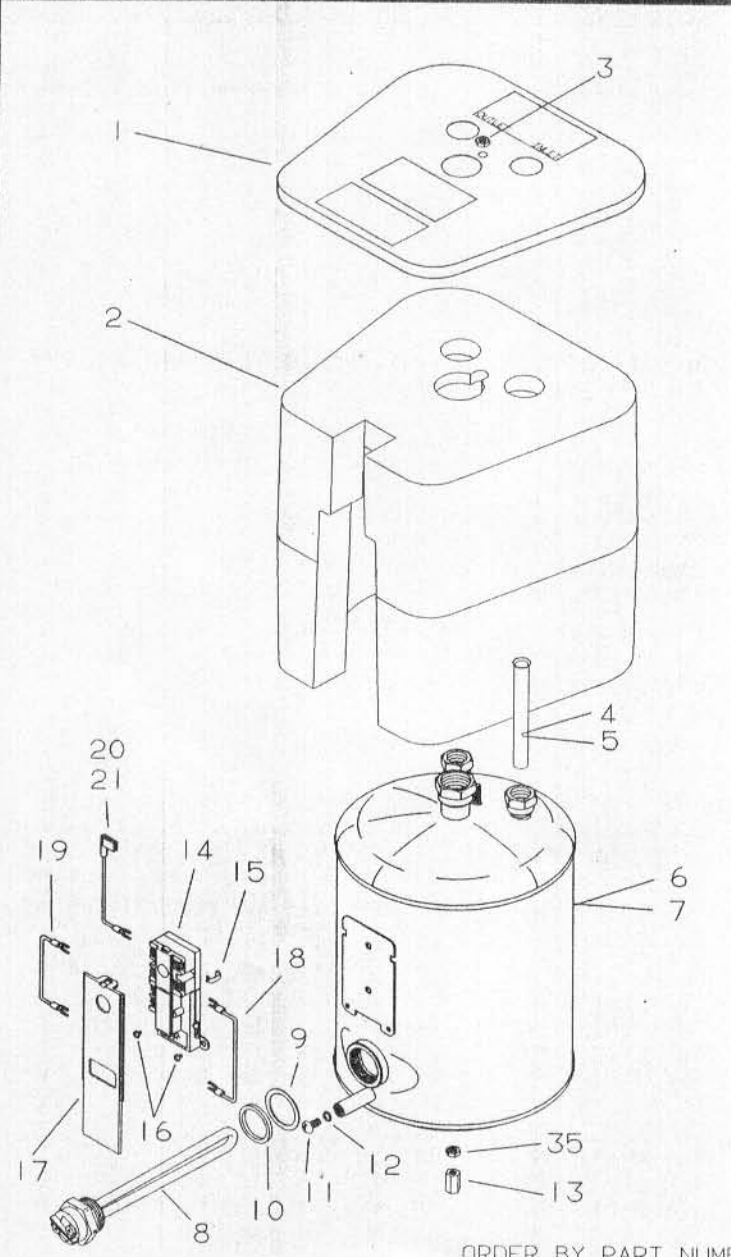
IN-SINK-ERATOR

W152-1 (2.50 GAL.)

W154-1 (4.00 GAL.)

1500 WATTS/120V/12.5 AMPS.

ENGR. NO. 42408	START DATE 4-19-91
ENGR. NO. 42414	START DATE 5-20-91
REV.: 2-1-92	



ORDER BY PART NUMBER, NOT CODE NUMBER

CODE NO.	PART NO.	NO. REQ.	DESCRIPTION	CODE NO.	PART NO.	NO. REQ.	DESCRIPTION
1	42315-A	1	TOP END CASE COVER ASSEMBLY	21	41965-B	1	LEAD WIRE ASM. - BLACK (W154-1)
2	42419	1	INSULATION, TANK	22	42316	1	CASE ASSEMBLY (W152-1)
3	42413	1	NUT, OPEN TOP	23	42317	1	CASE ASSEMBLY (W154-1)
4	41951	1	TUBE, DIP (W152-1)	24	40195	1	BRACKET, WALL (W152-1)
5	41951-A	1	TUBE, DIP (W154-1)	25	41990	2	SCREW
6	N/A	1	TANK ASSEMBLY (W152-1)	26	41699	1	SWITCH, ON/OFF
7	N/A	1	TANK ASSEMBLY (W154-1)	27	42318	1	COVER ASSEMBLY (W152-1)
8	41711	1	HEATER	28	42319	1	COVER ASSEMBLY (W154-1)
9	41907	1	O-RING, HEATER	29	41896	1	SCREW, COVER (W152-1)
10	41307	1	WASHER, HEATER		41896	2	SCREW, COVER (W154-1)
11	41786-A	1	SCREW, DRAIN	30	2466-A	1	SCREW, GROUND
12	41787	1	O-RING, DRAIN SCREW	31	40723	1	BUSHING, STRAIN RELIEF
13	41828	1	STAND-OFF	32	41843	1	CASE END COVER, BOTTOM
14	41695	1	THERMOSTAT	33	41786-A	1	SCREW, COVER
15	2037	2	CLIP	34	41785	1	PLUG & CORD
16	41882	2	SCREW	35	42363	1	NUT, JAM
17	41827	1	COVER, THERMOSTAT	36	42404	1	INSTALLATION BOOK - (NOT SHOWN)
18	40938-B	1	LEAD WIRE ASM. - WHITE	37	41846-A	1	INSTRUCTION ASSEMBLY - W152-1 (NOT SHOWN) (INCLUDES CODES 24,25,36)
19	40473-J	1	LEAD WIRE ASM. - BLACK	38	42474	1	INSTRUCTION ASSEMBLY - W154-1 (NOT SHOWN) (INCLUDES CODE 36)
20	41965	1	LEAD WIRE ASM. - BLACK (W152-1)				