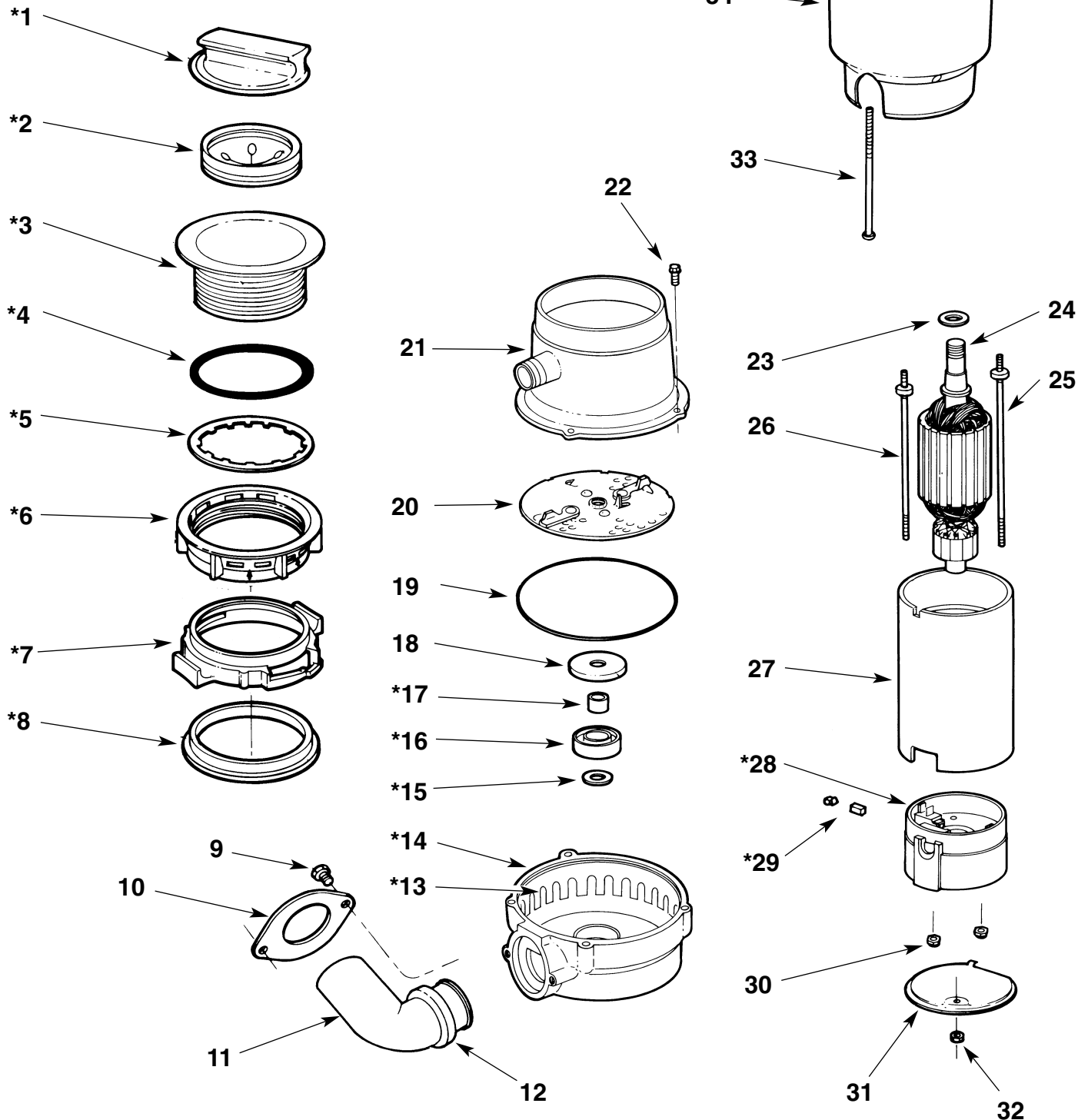


# Waste King<sup>®</sup> Gourmet series

by Anaheim Manufacturing

## PARTS LIST MODELS 111 & 1001



P.O. BOX 4146  
ANAHEIM, CA 92803 U.S.A.

\* PART OF AN ASSEMBLY, BUT CAN BE PURCHASED SEPARATELY.

ITEM NO.	DESCRIPTION	MODEL 111	MODEL 1001	QTY. PER UNIT
MOUNT ASSEMBLY		.249C019S75	.249C019S75	1
*1	.STOPPER	.174C068P01	.174C068P01	1
*2	.SPLASH GUARD	.614C069P01	.614C069P01	1
*3	.SINKFLANGE & CAP ASSEMBLY.	.249C014S35	.249C014S35	1
*4	.RUBBER GASKET	.269C031P01	.269C031P01	1
*5	.FIBER GASKET (WAXED)	.269C033P01	.269C033P01	1
*6	.SUPPORT RING	.614C072P01	.614C072P01	1
*7	.MOUNT RING	.614C059P02	.614C059P02	1
8	.CUSHION MOUNT RING	.469C004P02	.469C004P02	1
9	.OUTLET SCREW	.636C017P03	.636C017P03	2
10	.OUTLET FLANGE	.249C009P01	.249C009P01	1
11	.OUTLET ELBOW	.673C015P01	.673C015P01	1
12	.RUBBER OUTLET GASKET	.269C038P01	.269C038P01	1
DRAIN HOUSING ASSEMBLY		.311C080S03	.311C080S03	1
*13	.GRIND RING	.614C066P03	.614C066P03	2
*14	.DRAIN HOUSING	.311C080P01	.311C080P01	1
*15	.THRUST WASHER	.789C041P01	.789C041P01	1
*16	.WATER SEAL	.645C006P01	.645C006P01	1
*17	.SPACER SEAL	.102C005P01	.102C005P01	1
18	.SLINGER	.789C034P04	.789C034P04	1
19	.O-RING	.645C004P01	.645C004P01	1
20	.TURNTABLE ASSEMBLY	.258C032S01	.258C032S01	1
21	.HOPPER	.311C077S01	.311C077S01	1
22	.HOPPER SCREW	.636C023P01	.636C023P01	4
23	.WASHER	.789C035P02	.789C035P02	1
24	.ARMATURE ASSEMBLY.	.626C035P02	.626C035P03	1
25	.MOTOR STUD	.687C003P01	.687C003P01	1
26	.MOTOR STUD	.687C003P02	.687C003P02	1
27	.MOTOR SHELL ASSEMBLY.	.681C031S12	.681C031S12	1
ENDBELL ASSEMBLY		.311C081S01	.311C081S02	1
*28	.ENDBELL.	.311C081S53	.311C081S53	1
*29	.MOTOR BRUSH & BRUSH SPRING ASSY	.027C029S02	.027C029S02	2
30	.NUT	.479C019P01	.479C019P01	2
31	.INSPECTION PLATE	.554C032P01	.554C032P01	1
32	.NUT	.479C021P01	.479C021P01	1
33	.SHELL SCREW	.636C029P02	.636C029P02	3
34	.LOWER SHELL	.806C044P03	.806C044P03	1

\*PART OF AN ASSEMBLY, BUT CAN BE PURCHASED SEPARATELY.

WK-1124-A REV. 09/03