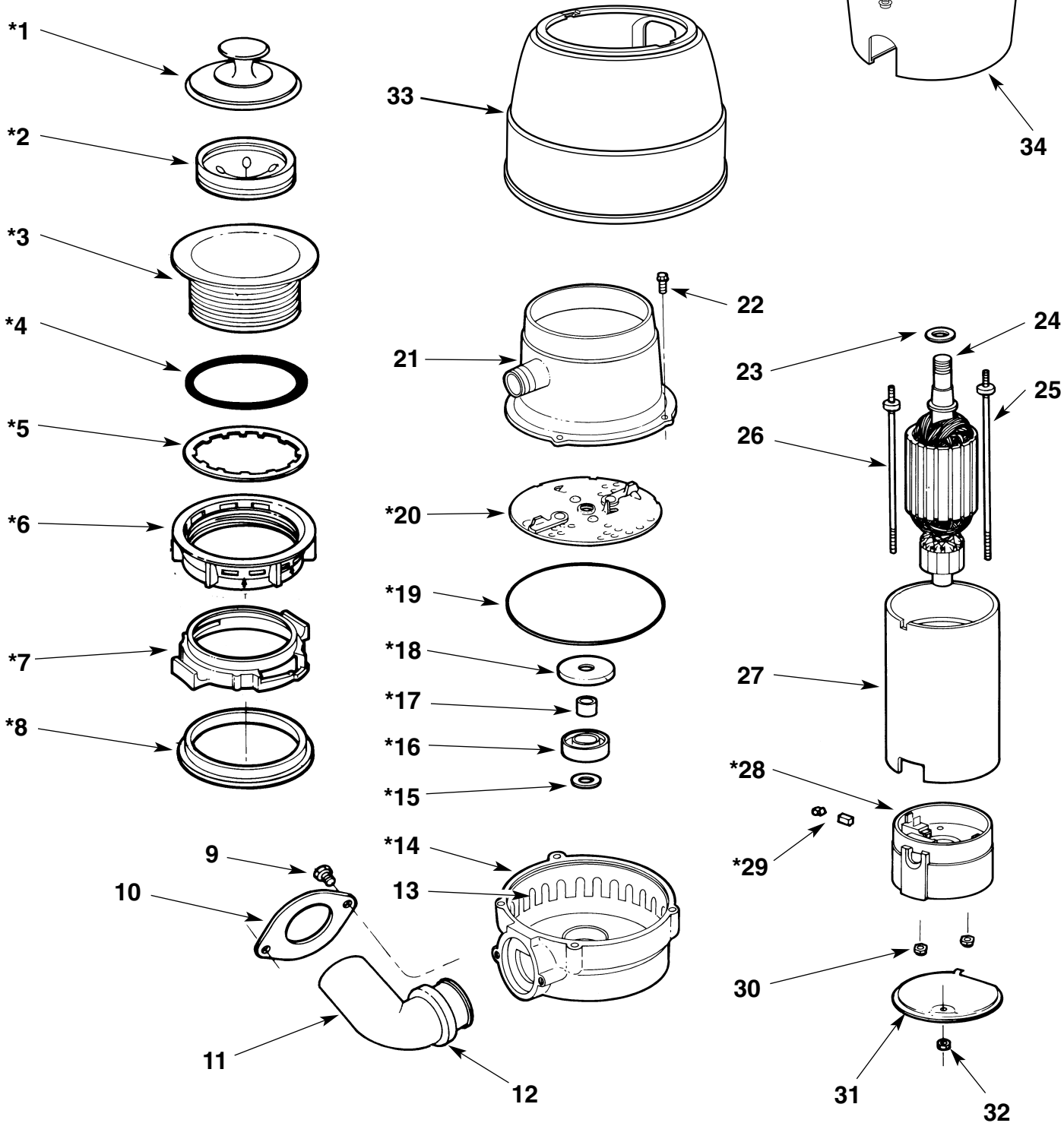


# Waste King<sup>®</sup> Gourmet series

by Anaheim Manufacturing

## PARTS LIST MODEL SS2600



P.O. BOX 4146  
ANAHEIM, CA 92803 U.S.A.

\* PART OF AN ASSEMBLY, BUT CAN BE PURCHASED SEPARATELY.

ITEM NO.	DESCRIPTION	MODEL SS2600	QTY. PER UNIT
MOUNT ASSEMBLY		.249C019S75	.1
*1	STOPPER	.174C067P01	.1
*2	SPLASH GUARD	.614C069P01	.1
*3	SINKFLANGE & CAP ASSEMBLY	.249C014S35	.1
*4	RUBBER GASKET	.269C031P01	.1
*5	FIBER GASKET (WAXED)	.269C033P01	.1
*6	SUPPORT RING	.614C072P01	.1
*7	MOUNT RING	.614C059P02	.1
8	CUSHION MOUNT RING	.469C004P02	.1
9	OUTLET SCREW	.636C017P03	.2
10	OUTLET FLANGE	.249C009P01	.1
11	OUTLET ELBOW	.673C015P01	.1
12	RUBBER OUTLET GASKET	.269C038P01	.1
13	GRIND RING	.614C066P02	.2
DRAIN HOUSING ASSEMBLY		.311C080S02	.1
*14	DRAIN HOUSING	.311C080P02	.1
*15	THRUST WASHER	.789C041P01	.1
*16	WATER SEAL	.645C006P01	.1
*17	SPACER SEAL	.102C005P01	.1
TURNTABLE ASSEMBLY		.258C032S02	.1
*18	SLINGER	.789C034P03	.1
*19	O-RING	.645C004P01	.1
*20	TURNTABLE	.258C032P02	.1
21	HOPPER	.311C076P01	.1
22	HOPPER SCREW	.636C023P01	.4
23	WASHER	.789C035P02	.1
24	ARMATURE ASSEMBLY	.626C035P03	.1
25	STUD MOTOR	.687C003P01	.1
26	STUD MOTOR	.687C003P02	.1
27	MOTOR SHELL ASSEMBLY	.681C031S12	.1
ENDBELL ASSEMBLY		.311C081S02	.1
*28	ENDBELL	.311C081P01	.1
*29	MOTOR BRUSH & BRUSH SPRING ASSEMBLY	.027C029S02	.1
30	NUT	.479C019P01	.2
31	INSPECTION PLATE	.554C032P01	.1
32	NUT	.479C021P01	.1
33	UPPER SHELL	.806C067P01	.1
34	LOWER SHELL	.806C068P01	.1
35	SHELL SCREW	.636C024P01	.3
†36	SINKFLANGE GASKET-WAXED (THICK)	.269C032P01	.1

†NOT SHOWN

\*PART OF AN ASSEMBLY, BUT CAN BE PURCHASED SEPARATELY.