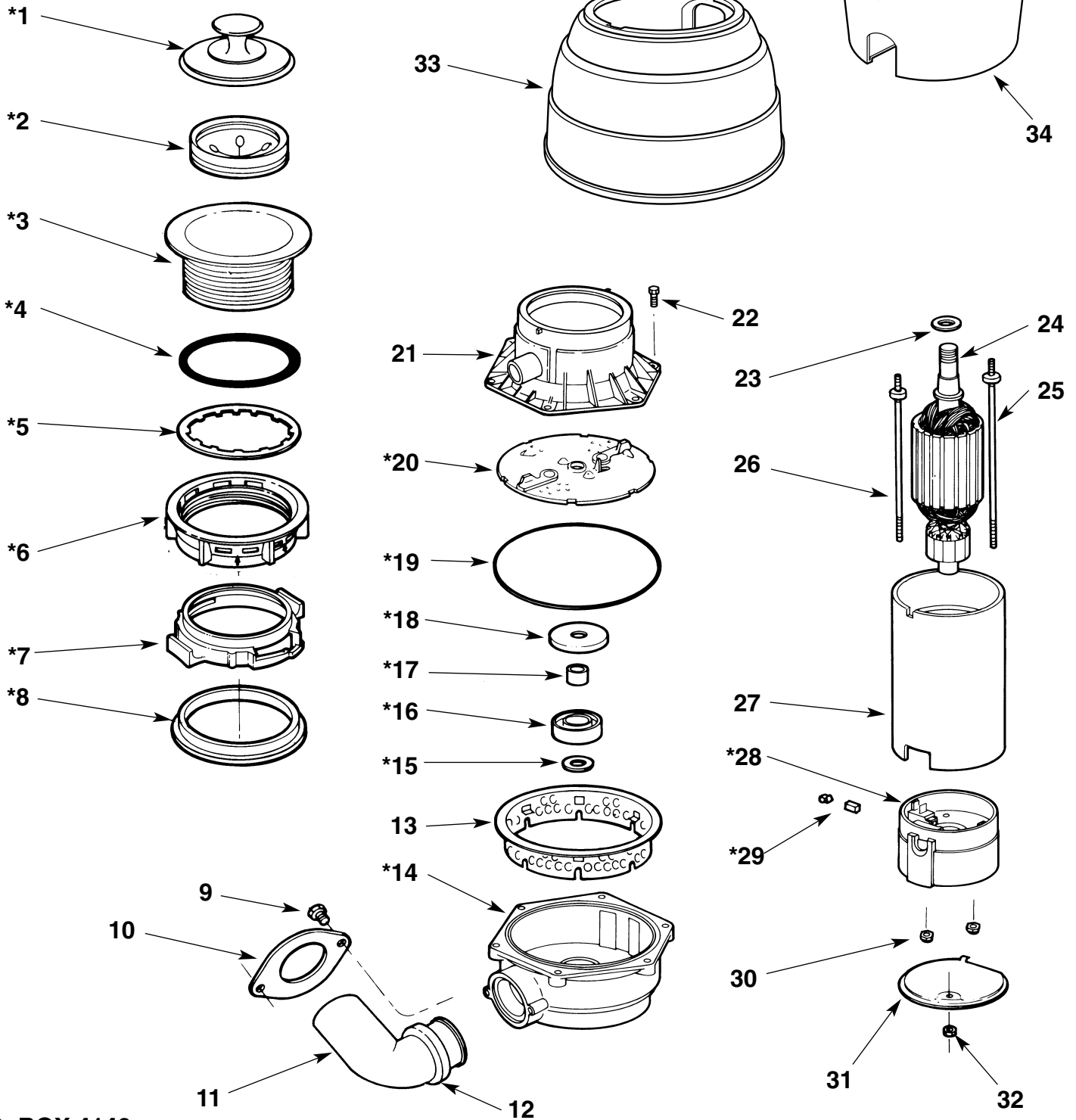


Waste King[®] Gourmet series

by Anaheim Manufacturing

PARTS LIST MODEL SS3100



P.O. BOX 4146
ANAHEIM, CA 92803 U.S.A.

* PART OF AN ASSEMBLY, BUT CAN BE PURCHASED SEPARATELY.

ITEM NO.	DESCRIPTION	MODEL SS3100	QTY. PER UNIT
MOUNT ASSEMBLY		.249C019S75	.1
*1	.STOPPER	.174C067S01	.1
*2	.SPLASH GUARD	.614C069P01	.1
*3	.SINKFLANGE & CAP ASSEMBLY.	.249C014S35	.1
*4	.RUBBER GASKET	.269C031P01	.1
*5	.FIBER GASKET (WAXED)	.269C033P01	.1
*6	.SUPPORT RING	.614C072P01	.1
*7	.MOUNT RING	.614C059P02	.1
8	.CUSHION MOUNT RING	.469C004P02	.1
9	.OUTLET SCREW	.636C017P03	.2
10	.OUTLET FLANGE	.249C009P01	.1
11	.OUTLET ELBOW	.673C015P01	.1
12	.RUBBER OUTLET GASKET	.269C038P01	.1
13	.GRIND RING	.614C060P01	.1
DRAIN HOUSING ASSEMBLY		.311C082S01	.1
*14	.DRAIN HOUSING	.311C082P01	.1
*15	.THRUST WASHER	.789C041P01	.1
*16	.WATER SEAL	.645C006P01	.1
*17	.SPACER SEAL	.102C005P01	.1
TURNTABLE ASSEMBLY		.258C032S02	.1
*18	.SLINGER	.789C034P03	.1
*19	.O-RING	.645C005P01	.1
*20	.TURNTABLE	.258C032P02	.1
21	.HOPPER	.311C070P01	.1
22	.HOPPER SCREW	.636C023P01	.6
23	.WASHER	.789C035P02	.1
24	.ARMATURE ASSEMBLY.	.626C035P03	.1
25	.MOTOR STUD	.687C003P01	.1
26	.MOTOR STUD	.687C003P02	.1
27	.MOTOR SHELL ASSEMBLY.	.681C031S13	.1
ENDBELL ASSEMBLY		.311C081S02	.1
*28	.ENDBELL	.311C081P01	.1
*29	.MOTOR BRUSH & BRUSH SPRING ASSEMBLY	.027C029S02	.1
30	.NUT	.479C019P01	.2
31	.INSPECTION PLATE	.554C032P01	.1
32	.NUT	.479C021P01	.1
33	.UPPER SHELL	.806C062P01	.1
34	.LOWER SHELL	.806C063P01	.1
35	.SHELL SCREW	.636C024P01	.3
†36	.SINKFLANGE GASKET-WAXED (THICK)	.269C032P01	.1

†NOT SHOWN

*PART OF AN ASSEMBLY, BUT CAN BE PURCHASED SEPARATELY.