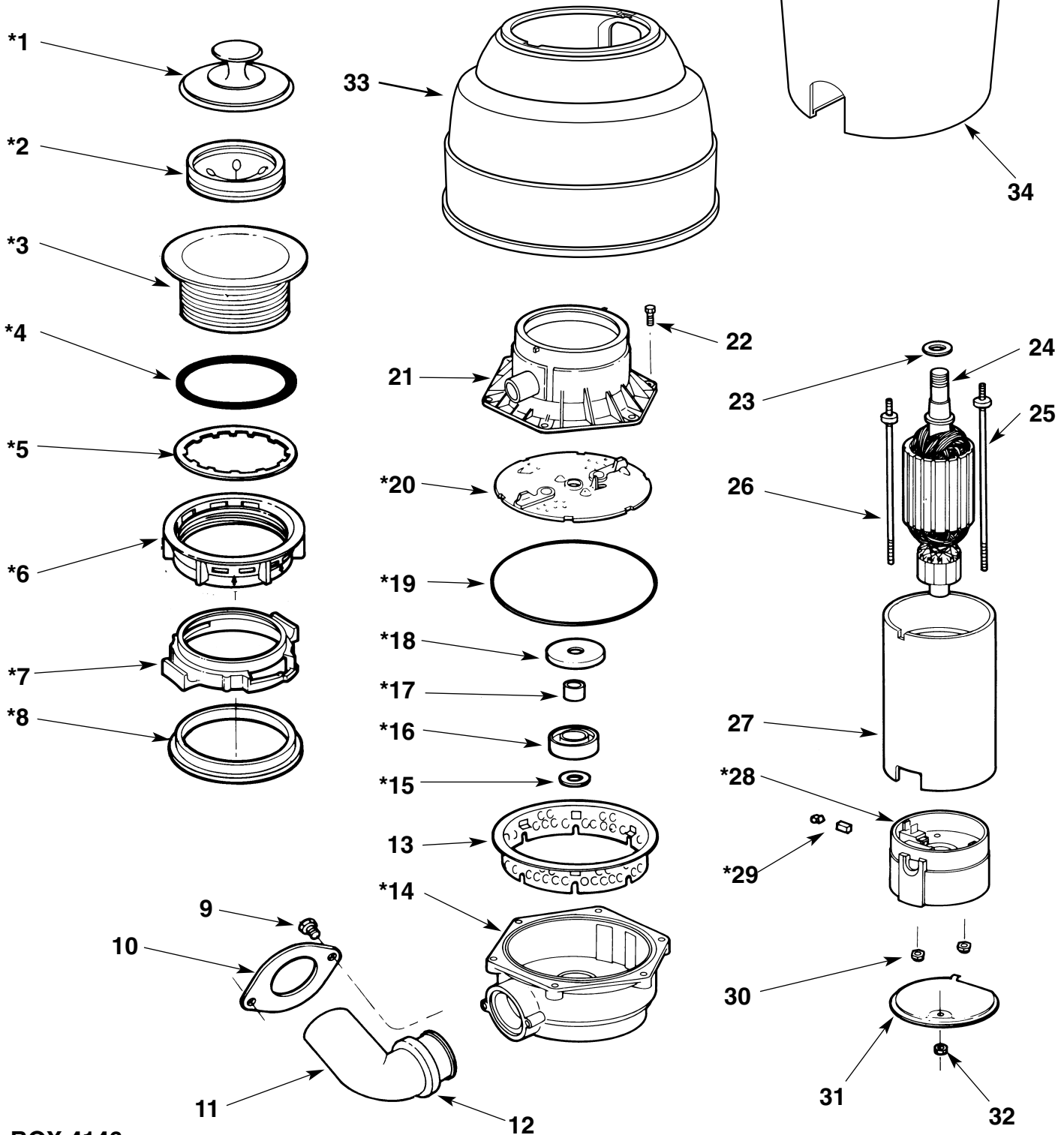


## PARTS LIST MODEL SS8000



P.O. BOX 4146  
ANAHEIM, CA 92803 U.S.A.

\* PART OF AN ASSEMBLY, BUT CAN BE PURCHASED SEPARATELY.

| ITEM NO.               | DESCRIPTION                          | MODEL SS8000 | QTY. PER UNIT |
|------------------------|--------------------------------------|--------------|---------------|
| MOUNT ASSEMBLY         |                                      | .249C019S75  | .1            |
| *1                     | .STOPPER                             | .174C067S01  | .1            |
| *2                     | .SPLASH GUARD                        | .614C069P01  | .1            |
| *3                     | .SINK FLANGE & CAP ASSEMBLY          | .249C014S35  | .1            |
| *4                     | .RUBBER GASKET                       | .269C031P01  | .1            |
| *5                     | .FIBER GASKET (WAXED)                | .269C033P01  | .1            |
| *6                     | .SUPPORT RING                        | .614C072P01  | .1            |
| *7                     | .MOUNT RING                          | .614C059P02  | .1            |
| 8                      | .CUSHION MOUNT RING                  | .469C004P02  | .1            |
| 9                      | .OUTLET SCREW                        | .636C017P03  | .2            |
| 10                     | .OUTLET FLANGE                       | .249C009P01  | .1            |
| 11                     | .OUTLET ELBOW                        | .673C015P01  | .1            |
| 12                     | .RUBBER OUTLET GASKET                | .269C038P01  | .1            |
| 13                     | .GRIND RING                          | .614C060P01  | .1            |
| DRAIN HOUSING ASSEMBLY |                                      | .311C082S01  | .1            |
| *14                    | .DRAIN HOUSING                       | .311C082P01  | .1            |
| *15                    | .THRUST WASHER                       | .789C041P01  | .1            |
| *16                    | .WATER SEAL                          | .645C006P01  | .1            |
| *17                    | .SPACER                              | .102C005P01  | .1            |
| TURNTABLE ASSEMBLY     |                                      | .258C032S04  | .1            |
| *18                    | .SLINGER                             | .789C034P03  | .1            |
| *19                    | .O-RING                              | .645C005P01  | .1            |
| *20                    | .TURNTABLE                           | .258C032P02  | .1            |
| 21                     | .HOPPER                              | .311C070P01  | .1            |
| 22                     | .HOPPER SCREW                        | .636C023P01  | .6            |
| 23                     | .WASHER                              | .789C035P02  | .1            |
| 24                     | .ARMATURE ASSEMBLY                   | .626C035P16  | .1            |
| 25                     | .MOTOR STUD                          | .687C003P05  | .1            |
| 26                     | .MOTOR STUD                          | .687C003P06  | .1            |
| 27                     | .MOTOR SHELL ASSEMBLY                | .681C031P15  | .1            |
| ENDBELL ASSEMBLY       |                                      | .311C081S10  | .1            |
| *28                    | .END BELL                            | .311C081P01  | .1            |
| *29                    | .MOTOR BRUSH & BRUSH SPRING ASSEMBLY | .027C029S02  | .1            |
| 30                     | .NUT                                 | .479C019P01  | .2            |
| 31                     | .INSPECTION PLATE                    | .554C032P01  | .1            |
| 32                     | .NUT                                 | .479C021P01  | .1            |
| 33                     | .UPPER SHELL                         | .806C064P01  | .1            |
| 34                     | .LOWER SHELL                         | .806C066P01  | .1            |
| 35                     | .SHELL SCREW                         | .636C024P01  | .3            |
| †36                    | .SINK FLANGE GASKET-WAXED (THICK)    | .269C032P01  | .1            |

†NOT SHOWN

\*PART OF AN ASSEMBLY, BUT CAN BE PURCHASED SEPARATELY.